



THE ONTARIO NUMISMATIST

OFFICIAL PUBLICATION OF THE ONTARIO NUMISMATIC ASSOCIATION

ISSN 0048-1815

1987-1989

O.N.A. OFFICERS

Past Presidents

R. R. Rekofski (1962-65)
L. T. Smith (1965-67)
W. English (1967-69)
D. Flick (1969-71)
C. B. Laister (1971-73)
W.E.P. Lambert (1973-75)*
E. Jephson (1975-77)
B. R. Watt (1977-81)
F. C. Jewett (1981-83)
S. Hodge (1983-85)
R. Hollingshead (1985-87)*
* Deceased

President

K. Wilmot

First Vice President

Second Vice President

G. Oblinsky

Secretary

M. Hollingshead

Treasurer & Membership

E. H. Raszmann

Box 33, Waterloo, N2J 3Z6

Directors:

Area:

- 1a T. Kostaluk
- 1b S. Hodge
- 2 C. Laister
- 3 R. Voaden
- 4 R. Fletcher
- 5 T. Kennedy
- 6 W. Ham
- 7 R. Zelk

- 8 B. Watt
- 9 B. Uman
- 10 R. Albert

Head Judge

E. Workman

R. R. #2 Cannington, Ont.

LOE LEO

Audio-Visual Service

C. B. Laister

No. 3 Highway

Tillsonburg, Ont. N4G 3J1

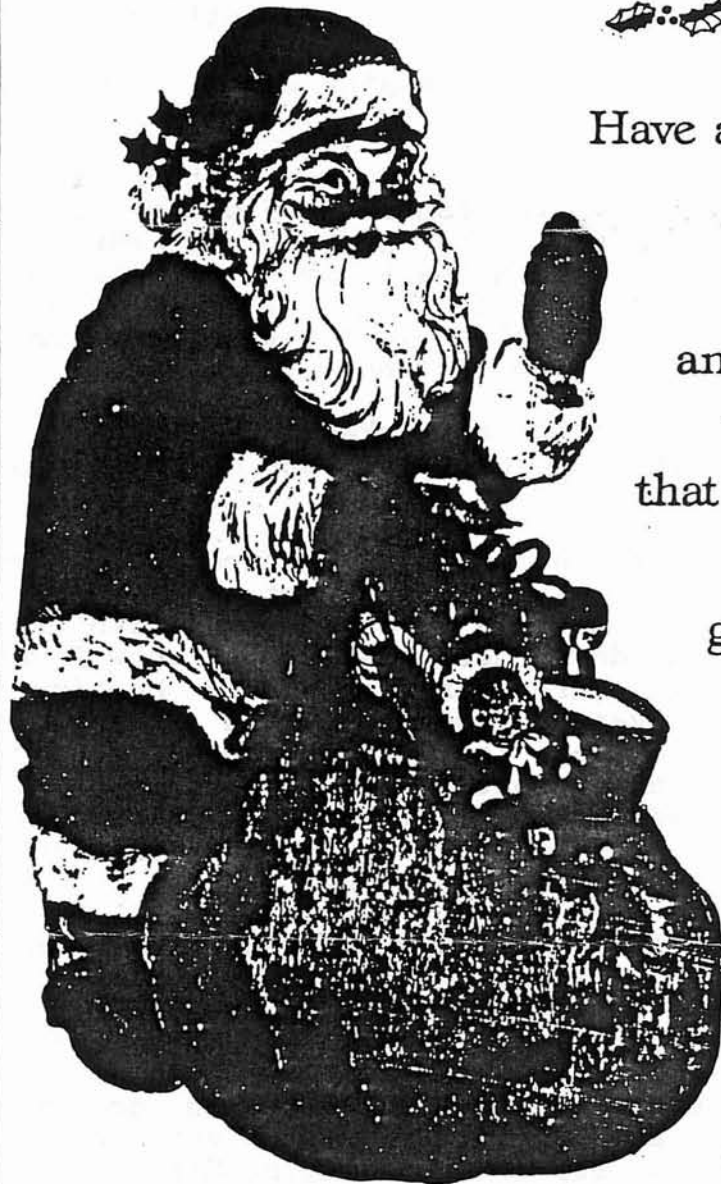
Editor-Librarian

T. Masters

823 Van Street

London, Ont. N5Z 1M8

VOLUME 27 NOVEMBER-DECEMBER ISSUE PAGE 96-88



Have a wonderful

Christmas

and a year

that brings only

good things

your way!



Merry

Christmas

The ONTARIO NUMISMATIST is published by the Ontario Numismatic Association. The publication can be obtained with membership in one of the following categories: Regular Membership \$10.00 annually. Husband and Wife (one journal) \$12.00 annly. Junior (up to 18) \$3.00 annly. Life Memberships available for \$100.00 after 3 years of regular membership. Club Membership \$15.00. Remittances payable to the Ontario Numismatic Assoc., P.O. Box 33, Waterloo, Ont., N2J 3Z6

P R E S I D E N T ' S M E S S A G E

Once again I wish to speak to all Members of the Ontario Numismatic Association and what better way than through the President's Column.

In the November 15 to November 28 edition of the Canadian Coin News was a very generous offer which could mean funds to Clubs and an inspiration to create something which will benefit all Numismatists. I will quote directly from the Editorial:

By Don Atanasoff, Managing Editor of Canadian Coin News.

"Many of the coin clubs in Canada have a monthly bulletin in which various members write interesting and informative feature articles for the benefit of other club members. CCN is asking that permission be granted to rerun some of those articles. Should we publish the article we will send the appropriate coin club a cheque for \$50. The money could be split between the author and the club, or a satisfactory arrangement could be made between the club and the author."

Club Presidents are asked to let Don know if they are interested and we at the O.N.A. urge the Member Clubs to take an active part in this offer.

I recently attended Stratford Coin Club's Annual Show and was very pleasantly surprised at the activity at the event. The Bourse Floor was always busy with all Dealers reporting an excellent day. Shortly after the show I was out to the Waterloo Coin Club's regularly scheduled Meeting and saw a good turnout for the evening. Speaking with Mike Hollingshead recently, he indicated that the Guelph Club had manned a Mall Display on Coin Collecting and had over 500 serious enquiries. In all cases mentioned something more than just talk took place and the three Clubs are to be congratulated for the work that they put forth to actively promote the hobby.

I would like to remind everyone, that, as mentioned in an earlier Presidents Message, our Life Membership Dues will be increasing from \$75.00 to \$100.00 effective Jan 1, 1989. Why not put this on your Christmas List and save some \$\$ before the price increase.

In Closing I want to take this opportunity to wish all our Members and their Families a very Merry Christmas and that 1989 will be a year of Good Health, Good Fortune and Good Times.



Ken Wilmet
President





From The Editor's Chair

Don Atanasoff, the Managing Editor of Canadian Coin News, has made a very generous offer to Coin Clubs and those who write articles for Coin Club Publications. In the President's message on Page 97, you will find the outline of that offer. As the Editor of the O.N.A. Numismatist and the Ingersoll Coin Club, it has always been our policy that articles printed may be reprinted by other Clubs and Organizations. All we ask is that the author be given credit, and also from where it was printed. If the author states that all rights reserved then it becomes another matter, and permission has to be granted from the author.

Here's an opportunity for all to upgrade their Publication, help Atanasoff get more articles for Canadian Coin News, and to improve your treasury. We know that space is limited in C.C.N. and all articles submitted will not be printed, but let's all get behind this offer and flood the C.C.N. with articles. Address - C.C.N., 10 Tempo Ave., North York, Ontario, M2H 2N8. I would like to see more of our members submit articles for our future Publications. I wish to thank those who helped me this past year, but I know there are others who could have written very interesting articles and news releases. Make it one of your New Year Resolutions to submit at least one article in 1989.

Also I would like the Area Directors of the O.N.A. to give me a brief outline of what has and is about to transpire in the Clubs in their area. Many Clubs hold an Annual Show and some are not printed in our Show Calendar. Directors could help me get a full listing of all those Shows. Remember - this is a free service, so how come all are not using this service? I would also like to know all the dates and locations of all the Clubs so include that in your report. It's when we all work together that we get results.

It's hard for me to not speak of finances and money. I have worked with it most of my life and been somewhat successful. C.C.N. gives you the opportunity to enrich your treasury. The O.N.A. also are asking for your support and another opportunity to put bucks in your Club funds by selling draw tickets. (Check elsewhere for details). Two Clubs in the past few years (Stratford & Ingersoll) have taken advantage of this offer and both Clubs have added over \$1000.00 to their treasury. You can do the same! Your members can sell a book of tickets just the same as the members of the above-named Clubs if they are given the chance. If your Club can't sell at least 10 books I would say very little effort has been put into this project. By the way, those 10 books would net your Club a \$20.00 rebate. The O.N.A. has made the offer - the rest is up to you.

Steps are being taken to update and secure new Audio Visual programs for Club use. These slide sets are not easily obtained and most often we have to go outside the country to secure the sets. If there are those who know of Audio Visual that is available, would you write to the Association and let us know.

Because we are producing our January-February issue of the Numismatist early in 1989, deadline for submitting material is January 6. In February there will be a Convention '89 issue printed and it should reach you by March 1st.

On behalf of the O.N.A. Executive and myself, I wish every member and reader the most joyous Christmas Season, and may the New Year be filled with unexpected surprises.

T. Masters



Coins and Christmas puddings



ALAN MAJOR - from 'Coins and Medals', December, 1980
(Published by Stanley Gibbons Magazines Ltd., London)

Those British housewives who still prefer to make their own Christmas pudding, although ready-made ones are available, often continue to follow the ancient custom of placing items in the mixture before it is cooked. These are usually old silver charms and coins, sixpences and threepences, that have been so used in the family for generations.

The origin of the custom goes back to pagan times. Throughout the Roman Empire the date 25 December had a sacred significance because it was the Dies Natalis Invicti Solis or "The Birthday of the Unconquered" and also the chief festival of the Phrygian god, Attis, and of Mithras, the soldiers' god whose cult was carried to Britain and other countries occupied by the Roman army. One belief is that coins in puddings originated in Roman times during the Feast of Saturnalia, when charms were hidden in various foods eaten during the feasting. It is difficult to accept another belief that our putting of coins into puddings started because it was the custom of the Romans to bury a dead warrior with a silver coin between his teeth as the fare to the Roman paradise.



George III silver
threepence of 1772

This use of coins and other objects in puddings could also be associated with the former custom of people wearing amulets or charms, shaped like the moon, sun, stars, a horseshoe or black cat, to protect themselves from evil spirits. Later these, made of silver, were put in the food eaten at certain times of the year, silver coins being put in the plum

porridge, a gooier forerunner of the plum pudding mixture, to protect those who ate the porridge against the spirit world. Silver was used because it was also associated with protective magic and silver coins represented the moon. Later, the coins and charms were still put in the puddings - no longer for protection but as an element of luck and fun.

Even so, down through the centuries the coins and charms continued to be included in the mixture and special silver charms were made for sale to the public for use in their puddings. There were beliefs behind them, too. The silver coin, as is obvious, when found in a portion of pudding signified good luck and coming fortune in the following twelve months. A ring meant marriage for the finder before the next Christmas and a thimble found by an unmarried girl or woman denoted another twelve months of single life. Other small objects in silver from which the future could be read, such as a lucky black cat, were used.

Coins made of copper, nickel or cupro-nickel could not be used as these would taint the food and probably make it inedible. However, in the year of her marriage, 1840, Queen Victoria ordered that new gold sovereigns be put in the Christmas puddings to be eaten by the royal household and staff. At following Christmasses silver coins were used in the royal puddings because it was cheaper.

The silver threepenny piece, which was first issued in 1551 during the reign of King Edward VI, became the traditional coin for Christmas puddings

COINS AND CHRISTMAS PUDDINGS (Cont'd)

until it was withdrawn from circulation by the Bank of England. Many families, however, kept their 'pudding' coins.

If you have one or more silver 'pudding' coins that have been used for many years it might be worthwhile to examine and identify them. One coin thus used was noticed by a guest at a Christmas dinner several years ago. He discovered it was dated 1834 and was in fact a silver three-halfpenny piece of William IV.

Not unnaturally the coins occasionally go 'missing' after being put in the puddings. In a publicity stunt several years ago a New York store ordered 100,000 Christmas puddings and had special silver coins put into three of them. The puddings were then put on sale and the store advertised that the finders of the coins would be rewarded with 1,000 dollars each. The puddings sold out, but somebody must have swallowed one of the hidden coins because only two of them were returned and prizes claimed.

Similarly, on Christmas Day 1927, a Mr. Ernest Hatfield, his wife and family, sat down to eat their home-made Christmas pudding which contained a single silver sixpence as the good luck charm. After the last portion



George V

George VI

had been eaten the coin had not been found, or so it seemed. However, Mr. Hatfield had discovered it and kept it in his mouth while the rest of the family sat mystified and speculated on its whereabouts. This so amused Mr. Hatfield that he laughed and swallowed the coin. He assumed it would pass through him during digestion and after a while it was forgotten- that is until October 1954 when he felt something moving uncomfortably inside him, especially when he coughed. He was sent to hospital for an X-ray which revealed the sixpence. Consequently he had to undergo an operation to remove the coin he had swallowed twenty-seven years earlier! So be wary while consuming your home-made Christmas pudding this year!

SHADES OF THE PAST

T. Masters

The First Edition, 1958, of the Canadian Publishing Institute, Winnipeg, list the 1926 Canadian far 6, five cent in uncirculated condition at \$60.00.

Charltons Catalogue, 1963, list the same coin in uncirculated condition at \$300.00.

Those years between 1958 and 1963 saw a tremendous growth in Numismatics. That growth included the birth of many coin clubs, and it was during that period that the O.N.A. was formed. With many new organizations the number of coin collectors doubled and redoubled and these new collectors created a large demand which resulted in that drastic rise in many key date coins.

Since 1963 many changes have taken place in our hobby. Some of those clubs formed during that growth of 58-63 have disappeared along with some of our members. Others have managed to survive with good meetings and programs. Many new collectors have been introduced to the hobby, and the demand for those key coins are with us today.

Trend prices listed in Canada Coin News today list that same 1926 coin at \$4000.00. Many of us back in 1958 couldn't afford the \$60.00 but are paying the larger price today. From time to time we will be looking back at years past and numismatics of yesteryear.

Canadian tire money, a national scrip

By Robert St. Cyr

In the field of paper money collecting there are a number of familiar terms that we associate with past forms of negotiable paper. In Canada they include scrip, cash scrip, cash orders and promissory notes. One of the latter is still in use, very popular, and an interesting collectible as well.

Canadian tire money was introduced by the Canadian Tire Corporation in 1958. The company was founded in 1922, and issued its first cash bonus notes to be given to each customer with every purchase. The amount given was a percentage of the total spent. Customers saved their notes, often until they had enough to pay the full cost of a special purchase. Frequently children would use them to buy their favorite fishing tackle or that dreamed of bicycle, at the Canadian Tire Store.

The small family-owned business has become a giant, with 401 associate stores and gas bars, with annual sales nearing the half million mark. The firm has approximately \$30 million of Canadian Tire Money in circulation. The two principal types are those featuring a Scotsman, "Sandy McTire", and the other with a depiction of the "animated tires" used as a sign in the early days.

"Sandy" was picked for the obvious connotation of frugality, and the animated tire was used for the Mor-Power gas bars, or gasoline stations.

The Scotsman notes were printed in several colors--gray-blue for the \$1, light brown for the half dollar, purple for the 25¢, pink for the 10¢, pale green 5¢ and pale blue for the 3¢. The tire notes are yellow for the \$1, brown for the fifty-cent, and light green for the 25¢, 10¢, and 5¢ notes.

Persons interested in obtaining examples of the "tire money" in un-circulated condition may write to: Robert St. Cyr, P.O. Box 3645, Thunder Bay, Ontario, Canada, P7B 2E3.



Sandy McTire and an animated tire share top billing on the Canada Tire Corporation Limited promissory notes, issued since 1958. The Sandy notes are printed by Canadian Bank Note and the tire notes by British American Bank Note Company Limited.

REALIGNMENT OF DIRECTORATE AREAS

As stated in the Revised Constitution and ByLaws "Revisions of the boundaries of the areas may be made at the discretion of Executive".

This revision evens out the areas but does not change the total number of Directors. Shown after each area are the Counties, Regions, or Districts that are included.

Also shown are the Clubs that are active in the area.

The proposal was considered and APPROVED at an Executive meeting at Gary O'Blinsky's home on August 6, 1988.

The changes that were made will not become effective until the 1989 Convention and election.

NOTE: THE FOLLOWING AREA BOUNDARIES WERE APPROVED AT AN EXECUTIVE MEETING HELD ON AUGUST 6, 1988

- AREA 1 Essex, Kent, Elgin, Lambton, Middlesex.
Clubs in Area 1 - 4
WINDSOR, CHATHAM, SARNIA, ST. THOMAS.
- AREA 2 Huron, Perth, Oxford
Clubs in Area 2 - 4
STRATFORD, INGERSOLL, TILLSONBURG, WOODSTOCK.
- AREA 3 Niagara
Clubs in Area 3 - 3
NIAGARA FALLS, ST. CATHARINES, WELLAND.
- AREA 4 Brant, Hamilton-Wentworth, Haldimand/Norfolk.
Clubs in Area 4 - 2
BRANTFORD, HAMILTON.
- AREA 5 Waterloo, Wellington, Halton, Dufferin.
Clubs in Area 5 - 3
WATERLOO, CAMBRIDGE, GUELPH
- AREA 6 Bruce, Grey, Simcoe, Muskoka
Clubs in Area 6 - 2
HURONIA, CHAMPLAIN.
- AREA 7 Metro Toronto, Peel and York.
Clubs in Area 7 - 6
TORONTO, NORTH YORK, RICHMOND HILL, MISSISSAUGA,
THISTLETOWN, SCARBOROUGH.
- AREA 8 Victoria, Durham, Peterborough, Northumberland,
Hastings, Prince Edward, Haliburton.
Clubs in Area 8 - 3
VICTORIA-SIMCOE, OSHAWA, PETERBOROUGH.
- AREA 9 All East of Hastings and Algonquin District
Clubs in Area 9 - 3
OTTAWA, PEMBROKE, POINTE CLAIRE QUE.
- AREA 10 All North of Muskoka, Haliburton, Hastings, and Renfrew.
Clubs in Area 10 - 4
SUDBURY, NIPISSING, THUNDER BAY, MCKAY-CLEMENTS.

From time to time, Clubs in various areas may change but the boundaries of the areas will remain the same.

Because of an error of omitting area #9 in the September-October edition of the Ontario Numismatist, we are printing the changes again in its entirety.

CONVENTION CALENDAR

- Every Second Sunday (The Ottawa Coin and Stamp Dealers Association presents a show on the second Sunday of each month at the Nepean Sportsplex, on Woodroffe Ave., 10 a.m. to 4 p.m. (Admission free. For info: write Allan Davis, Box 307, Carp, Ontario, KOA 1L0)
- January 22 1989 Metro Toronto Coin Exhibition (M.T.C.E.), Bond Place Hotel, 65 Dundas St. E., Toronto. Hours 10:00 a.m.-4:30 p.m. Admission \$2.00. 30 Bourse Dealers. Free Grading and Numismatic advice. Info - Ingrid K. Smith (416)920 6461.
- April 22-23 O.N.A. 27th Annual Convention & Show - Quality Inn, Woodstock, Junction of Hwys 59 & 401. Host Clubs - Ingersoll, Tillsonburg, and Woodstock. Limited number of Bourse Tables still available. Bruce Brace of Ancaster the Banquet Speaker on Saturday evening, April 22. Tours-Educational Forum - Wooden Money Breakfast, and Auction Saturday, April 22, 8:30 a.m. Admission \$1.00. Info: Chairman T. Masters, 823 Van St., London, Ont. N5Z 1M8, (519)438 2402.
- May 5-7 Expo Niagara - Skylon Tower, Niagara Falls, Ontario Canada's largest Coin, Stamp, and Card Show - 150 Dealers expected. Info: Expo Niagara, 165 King St., Welland, Ontario, L2B 3J4. More details later.
- June 11 Brantford 29th Anniversary Coin Show at the Woodman Community Centre, 491 Grey St., Brantford. Hours 8:00 a.m.-5:00 p.m. Free Admission. Info: Brantford Numismatic Society, P.O. Box 351, Brantford, Ont., W3T 5N3.
- July 27-30 C.N.A. Annual Convention and Coin Show - Convention Center Quebec City. Bourse hours: Thursday 2 p.m.- 9 p.m.; Friday and Saturday 10:30 a.m.- 5 p.m.; and Sunday 9:30 a.m.-4 p.m. Preliminary program - all day and half day tours of Quebec City and surrounding countryside on July 25th & 26th. More information: Destination Quebec '89, Box 177, Station Saint Sauveur, Quebec, Quebec, G1K 6V7.
- October 15 Tillsonburg Annual Coin & Hobby Show, Tillsonburg Community (Fair Grounds). Info: W. Baxter, 46 Queens Street, Tillsonburg, Ont., N4G 3G9.

OBITUARY

ARTHUR LEFF -

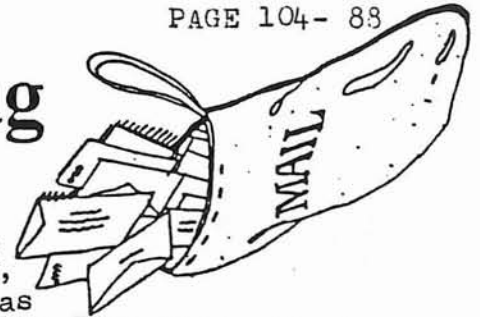
Passed away recently after a lengthy illness at the age of 87. Arthur was Life Member #39 of the O.N.A. He was also a Life Member of the C.N.A. and A.N.A. and several Coin Clubs in Ontario and the United States.

For the past several years, Arthur has been a resident of a Retirement Home in London. Before his retirement Arthur could be seen at many Coin Club meetings and most shows. His displays were welcomed at all Coin Shows and won many awards.

Arthur had a long and illustrious career in numismatics and will be missed by his many friends and collectors.

To the Leff family, the O.N.A. offers its sincere sympathy.

Memos from the Mailbag



Hello Tom:

As a member of your Coin Club, Association, or Society, I would like to suggest that as an attractive award at your next Coin Show, or as an award to a member of your Club for outstanding service, that you could present an engraved uniface medal with your own Club's, Society's, or Association's crest attached to a 16 inch long (32 inches circular) red, white, and blue ribbon, that allows presenting the award olympic style -- around the neck.

JÉRÔME H. REMICK

Your local engraver can engrave the blank side of the medal with the name of the recipient, details of the award, and the date.

As you know, uniface medals can be made as part of an order for your Club die medals, and you can use other dies with your Club crest such as Christmas or New Years as part of your order for the total number of pieces.

A gold plated medal can be awarded at a Coin Show as first prize, a silver plated medal second prize, and a copper medal as third prize. All of these on a ribbon.

At their October 8-9, 1988 Annual Coin Show, La Societe Numismatique de Quebec gave out seven 38 mm uniface crest awards suitably engraved to 7 of their 178 members. Winners at the October 9th Coin Show got engraved crest medals on a ribbon. In both cases the medals were put around the neck of the person and were worn for the remainder of the Show.

I personally feel that a medal on a ribbon to be worn around the neck makes a more moving, dramatic, and interesting presentation than just a medal in a box, as there is the ceremony of placing the medal around the person's neck and the receiver of the medal has it on display for all to see. It makes the receiver feel good and feel proud also.

The O.N.A., A.P.N.A., and even the Asscciation des Numismates Francophones du Canada and maybe the C.N.A. might consider such a format for their awards at their future Annual Conventions.

If you already have uniface medals with your crest on hand, you can send them back to Pressed Metal Products and they will attach the ring and ribbon on each medal and ship them to you in a box for \$1.50 plus 12% tax.

I believe that all Coin Clubs should give this suggestion serious consideration.

For further details and prices, please write Pressed Metal Products, 505 Alexander St., Vancouver, B.C., V6A 1C8.

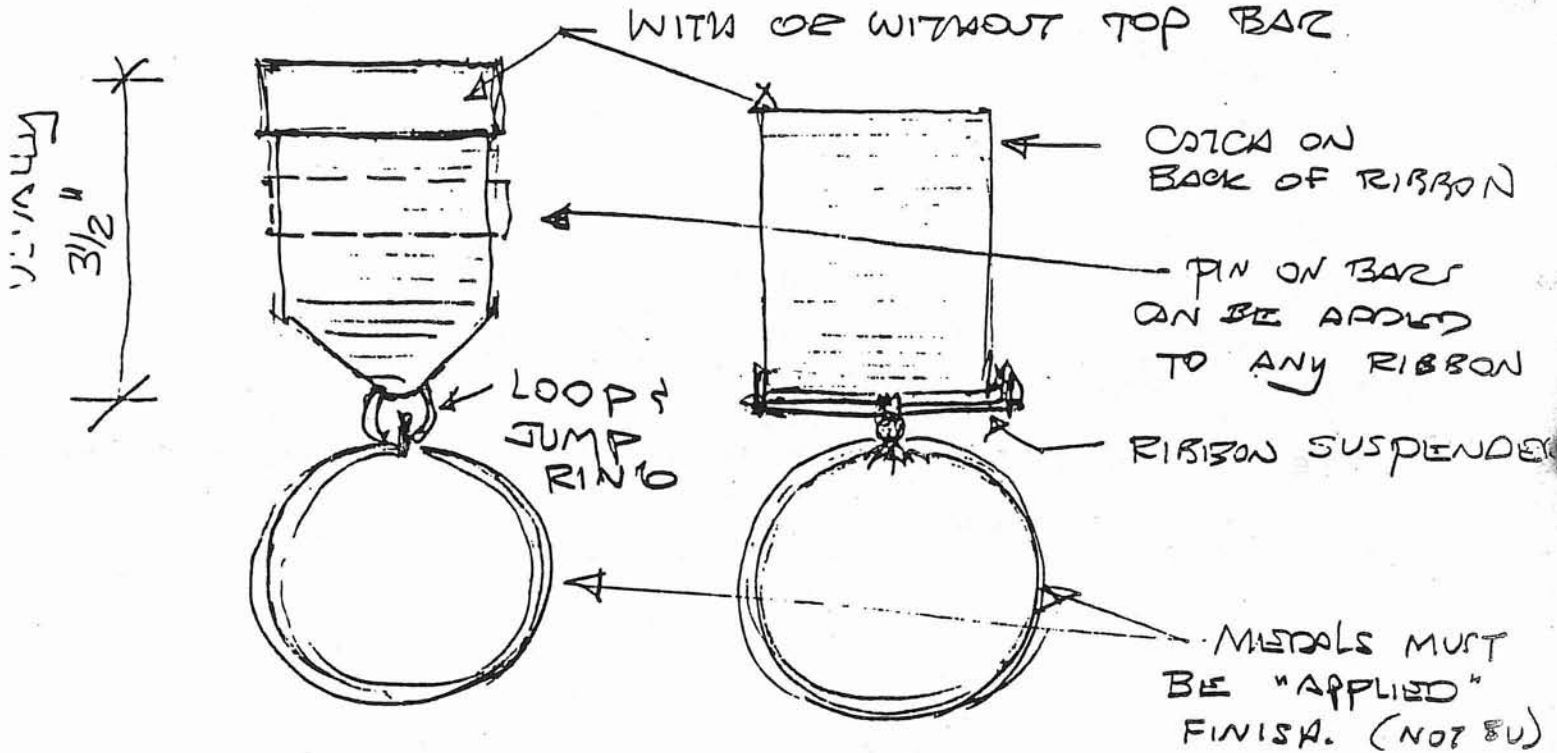
Sincerely and Best.Wishes

Jerry Remick

Jerry Remick



- PRESENTATION MEDALS



Association News:

CONSTITUTION & BY LAWS

In June the O.N.A. reprinted its Constitution & By Laws as amended in March of 1988. If any member wishes a copy of these By Laws would you apply in writing to the O.N.A. (address found on cover page) and mark envelope "Constitution & By Laws". A copy of the By Laws will be sent to you by return mail after your request has been received. Also copies of the revised By Laws are available from the O.N.A. lending library. Librarians address also found on cover page.

Does your 1989 Coin Show appear in our listing? If not, it's because the Editor has not received that information. In order for your Show to be listed, get that information to the Editor at least three months prior to your Show date. This is a free service.

DRAW TICKETS

In the very near future you will be receiving a book of O.N.A. Draw Tickets on a fabulous 7-day, 7-night, Mexican Fiesta for 2. (Value \$1500.) There are 6 tickets in each book and each ticket sells for \$2.00. One of those tickets is free to the seller when they have sold the other 5. The seller is obligated to return only \$20.00. Also on the front cover,

ASSOCIATION NEWS (Cont'd)

DRAW TICKETS (Cont'd)

if you designate your Club or the O.N.A. a further \$2.00 rebate will be returned to that designated Club after the draw and prizes have been distributed.

Here's a chance for you to win a trip or one of the five consolation prizes, and also help your designated organization. If more tickets are required write to our Draw Chairman, address found on the cover on back of tickets.

We need your help. Let's make 1989 a year that we have a record ticket sale. Thank you and good luck in the draw.

No 601

Name
Address
.....
Phone
Seller

SPECIMEN



Ontario Numismatic Association
1989 Coin Show — Convention Draw
Hosts: Oxford County Coin Clubs.

Mexican Fiesta

**7 DAYS AND 7 NIGHTS FOR TWO
IN BEAUTIFUL PUERTO VALLARTA (\$1,500 value)
2ND PRIZE — \$100.00 CANADIAN GOLD COIN**

Includes transportation from Toronto International Airport, transfers, taxes and hotel accommodation
To be taken by December 15, 1989. Trip arranged by Stan Blowes Travel, Stratford

PLUS FIVE CONSOLATION PRIZES

Draw to be held April 23, 1989, 4:00 p.m.

TICKETS \$2.00 EACH

Licence No. 622470 Commercial Printers (Stratford, Ont.)

No 601

DO NOT DESTROY THIS STUB CHECK!

Book Number 101

Designated Club O.N.A.

Winner of the trip may be allowed to substitute trip destination and departure through the travel agent.

Trip will be arranged by
Stan Blowes Travel - Stratford

Return ticket stubs and \$10.00 to
K. W. Wilmot, Draw Chairman
Box 76,
Sebringville, Ontario N0K 1X0

SPECIMEN

TO THE SELLER

Your support in the sale of these tickets will enable the Ontario Numismatic Association to serve you and your club better.

Note:
There is one free ticket in each book to the seller if book is completely sold.

A bonus of \$2.00 will be returned to any O.N.A. Club designated by you on the attached stub, after the draw, funds permitting.

As a special incentive, \$50.00 will be given to the seller of the 1st prize winning ticket.

IT'S RENEWAL TIME FOR 1989!

Just a friendly reminder to let you know it's time for you to renew your O.N.A. Membership for 1989.

In order to get our mailing list in order, your help is required. The earlier you renew, the quicker we can get that mailing list in order. We don't want you to miss a single copy of the O.N.A. Numismatist. Renew now and make our Membership Chairman's job easier.

BEST CLUB BULLETIN AWARD

For the first time ever the O.N.A. will be selecting a Club Publication they feel is the best for the past year. The rules drawn up by the committee are very simple, and hopefully many Clubs will compete for this award.

ASSOCIATION NEWS (Cont'd)

BEST CLUB BULLETIN AWARD (Cont'd)

RULES ARE AS FOLLOWS:

- 1 - Clubs must submit a minimum of 4 Publications in a calendar year.
- 2 - Judging will be selected by the O.N.A. Executive and, if at all possible, the judges will not share a conflict of interest with the Publications submitted.
- 3 - In order to encourage more Clubs to submit their Publication, and to produce a better quality, a Club winning in any given year will not be again eligible for another 3 years.
- 4 - The decision of the judges are final, but Clubs who submitted entrees may question the judges on how to improve their Publication.
- 5 - The names of the judges will be announced at each Convention when the award will be given.

DON'T FORGET:

I want to draw your attention to 2 important issues. Nomination forms for the 1989-1991 O.N.A. Executive and the "Award of Merit" nomination are included with this Publication. Don't forget to make your nominations on both these forms. Without your participation there would be no election or no Award of Merit.

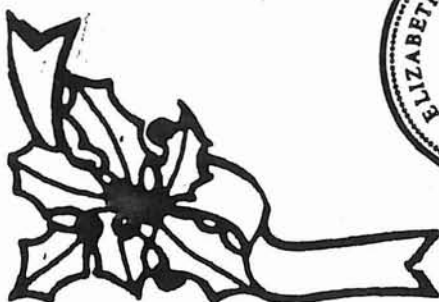
COINS FOR CHRISTMAS

T. Masters

For many years parents, grandparents, have given their children Canadian dollars at Christmas. I know in my case this is true, and for my sons I gave them a very nice collection of dollars at a cost issue of \$1.00 each.

I would hope that many of our members do something similar to this. Both my sons and my three grandchildren still have those coins that were given to them each Christmas and their collection keeps enlarging each year. Through this method I have introduced by family to the hobby. How many I will convert remains to be seen, but I know both my sons are very interested in numismatics but are not active participants.

Those who you know that are very interested can be given those coins which you order from the mint. The cost is more than those from the bank, but with the commemorative dollars issued each year, the history they portray and the 50% silver content in those coins, it could be a bargain for future years. We should make sure that those receiving these coins know their value so they are not spent at the corner store for their face value. Just another way to promote our hobby and to help with your Christmas shopping.



ONTARIO NUMISMATIC ASSOCIATION

BOX 33, WATERLOO, ONTARIO, CANADA N2J 3Z6



FOUNDED - 1962

ELECTION OF OFFICERS FOR 1989-91

In accordance with our By-Laws and Amendments passed at the Annual General Meeting, April 1985, Article 7, Section 5, we quote: "All nominations shall be made in writing, signed by a member in good standing or by an officer of a member club that is in good standing, and sent to the Chairman of the Election Committee. All nominations must be accompanied by a written acceptance from the nominee or a declaration signed by the nominators stating that the nominee shall stand for office if elected. Failure to do this, nomination shall be invalid and the nominee shall be so advised."

Nominations shall close January 15, 1989.

Nomination Chairman, P.O. Box 33, Waterloo, Ontario, N2J 3Z6
(NOMINATIONS O.N.A.)

Use the following form to send in your nominations:

- PRESIDENT.....
- FIRST VICE-PRESIDENT.....
- SECOND VICE-PRESIDENT.....
- SECRETARY.....
- TREASURER.....
- DIRECTOR, AREA # 1a.....
- DIRECTOR, AREA # 1b.....
- DIRECTOR, AREA # 2.....
- DIRECTOR, AREA # 3.....
- DIRECTOR, AREA # 4.....
- DIRECTOR, AREA # 5.....
- DIRECTOR, AREA # 6.....
- DIRECTOR, AREA # 7.....
- DIRECTOR, AREA # 8.....
- DIRECTOR, AREA # 9.....
- DIRECTOR, AREA # 10.....

